

ILLUSTRATED PARTS BREAKDOWN

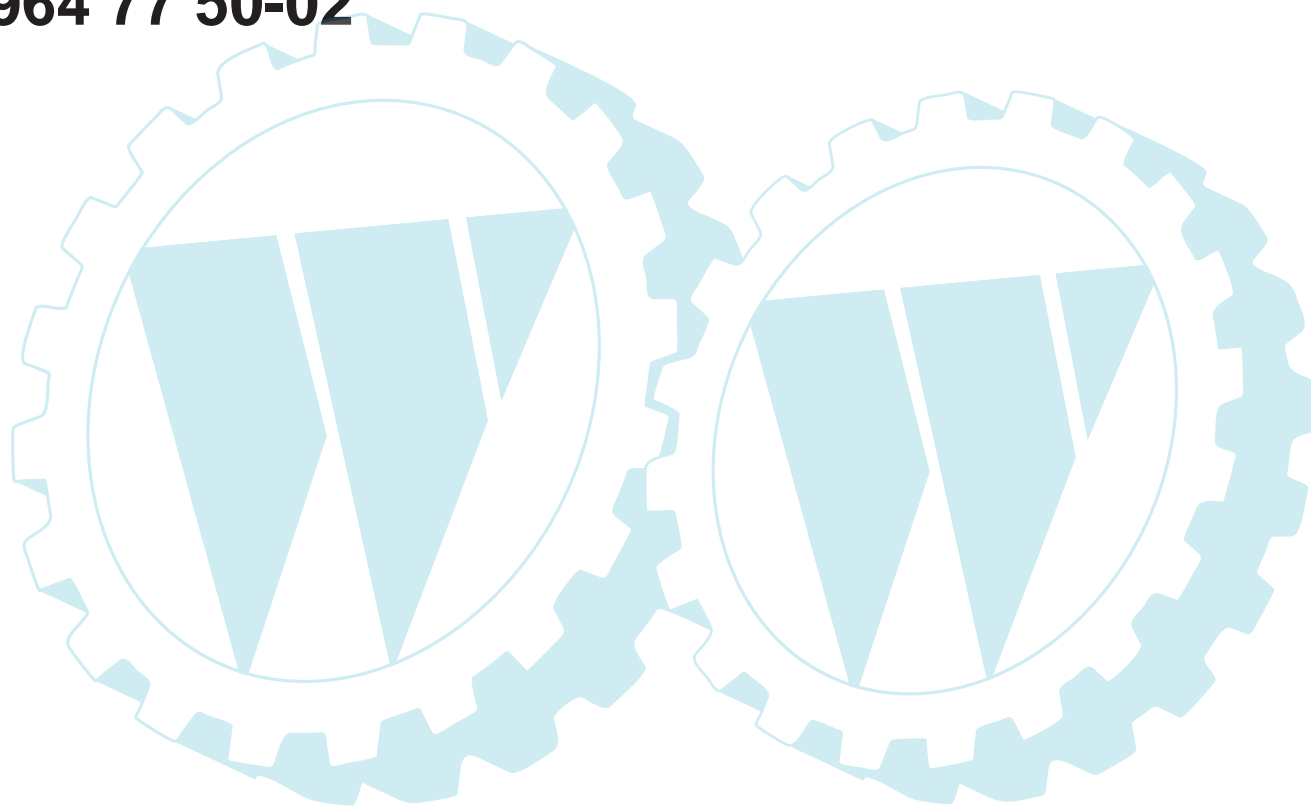
PARTNER

11.5 HP 36" MOWER DECK

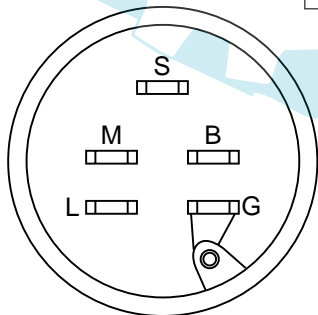
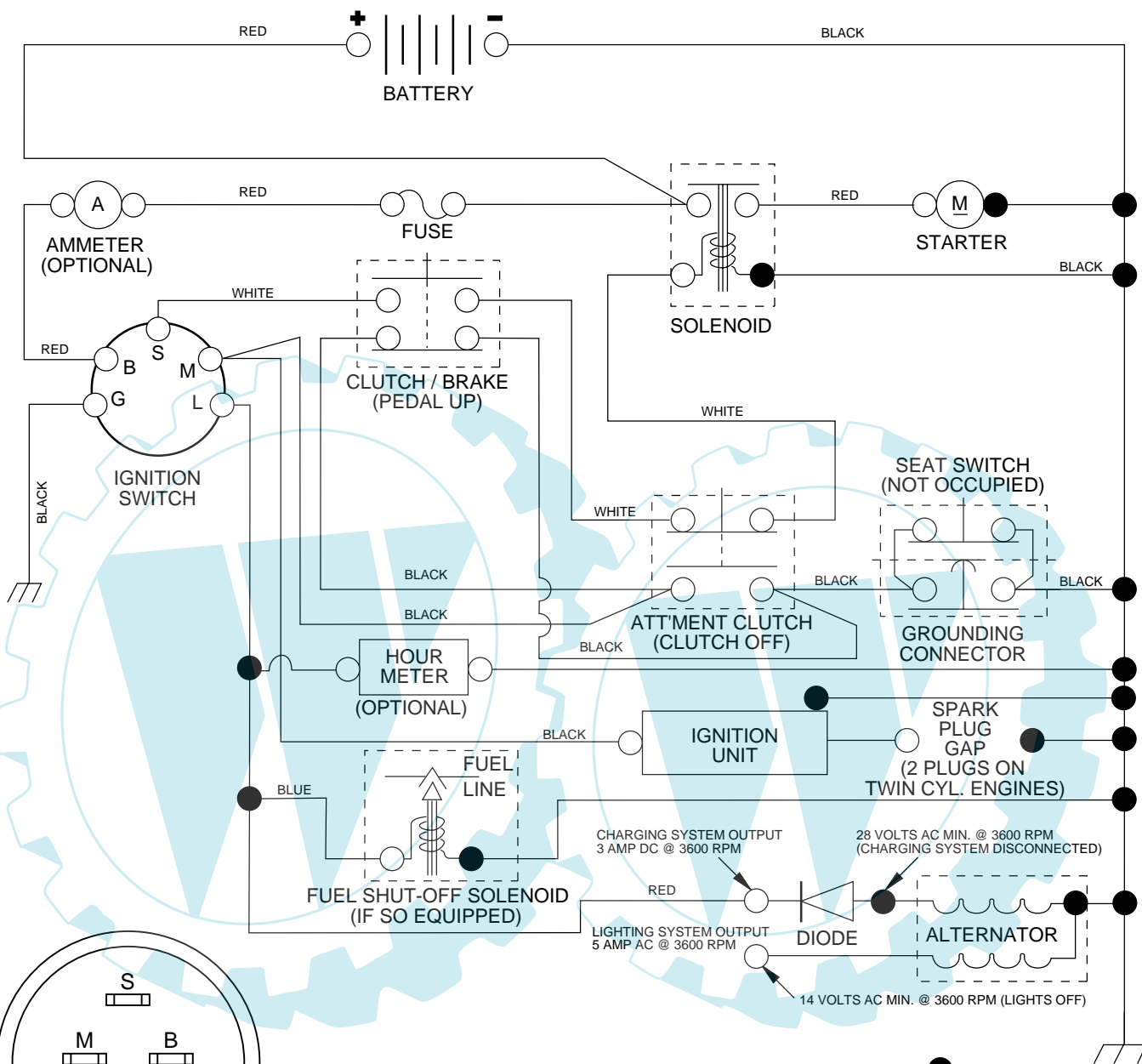
LAWN TRACTOR

MODEL NO. P115T92 (P115T92A)

964 77 50-02



**TRACTOR - - MODEL NUMBER P115T92 (P115T92A), PRODUCT NO. 964 77 50-02
SCHEMATIC**



IGNITION SWITCH

POSITION	CIRCUIT
OFF	M + G
ON	B + L
START	B + S + L

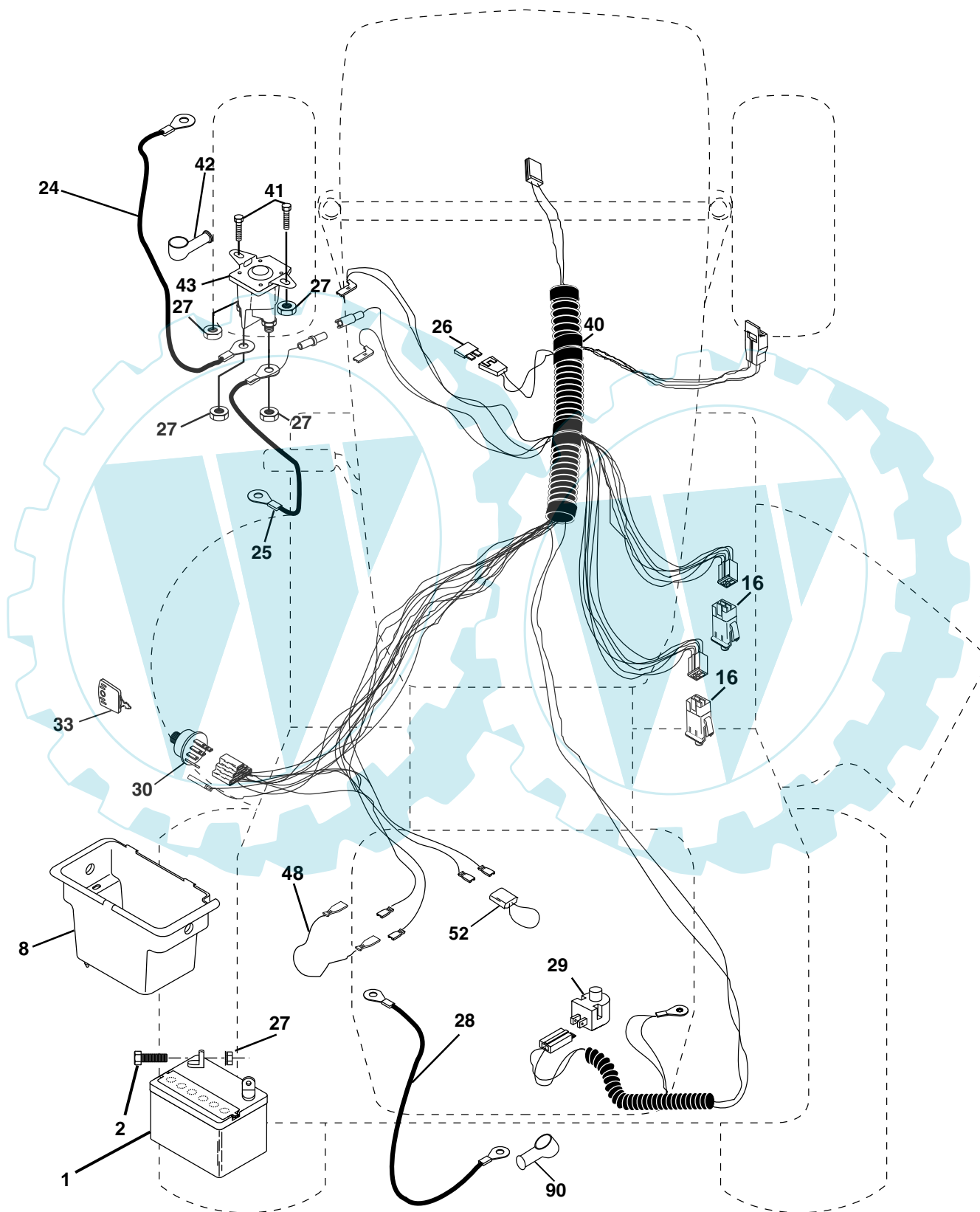
WIRING INSULATED CLIPS
NOTE: IF WIRING INSULATED CLIPS WERE REMOVED FOR SERVICING OF UNIT, THEY SHOULD BE REPLACED TO PROPERLY SECURE YOUR WIRING.

●
NON-REMOVABLE CONNECTIONS

○
REMOVABLE CONNECTIONS

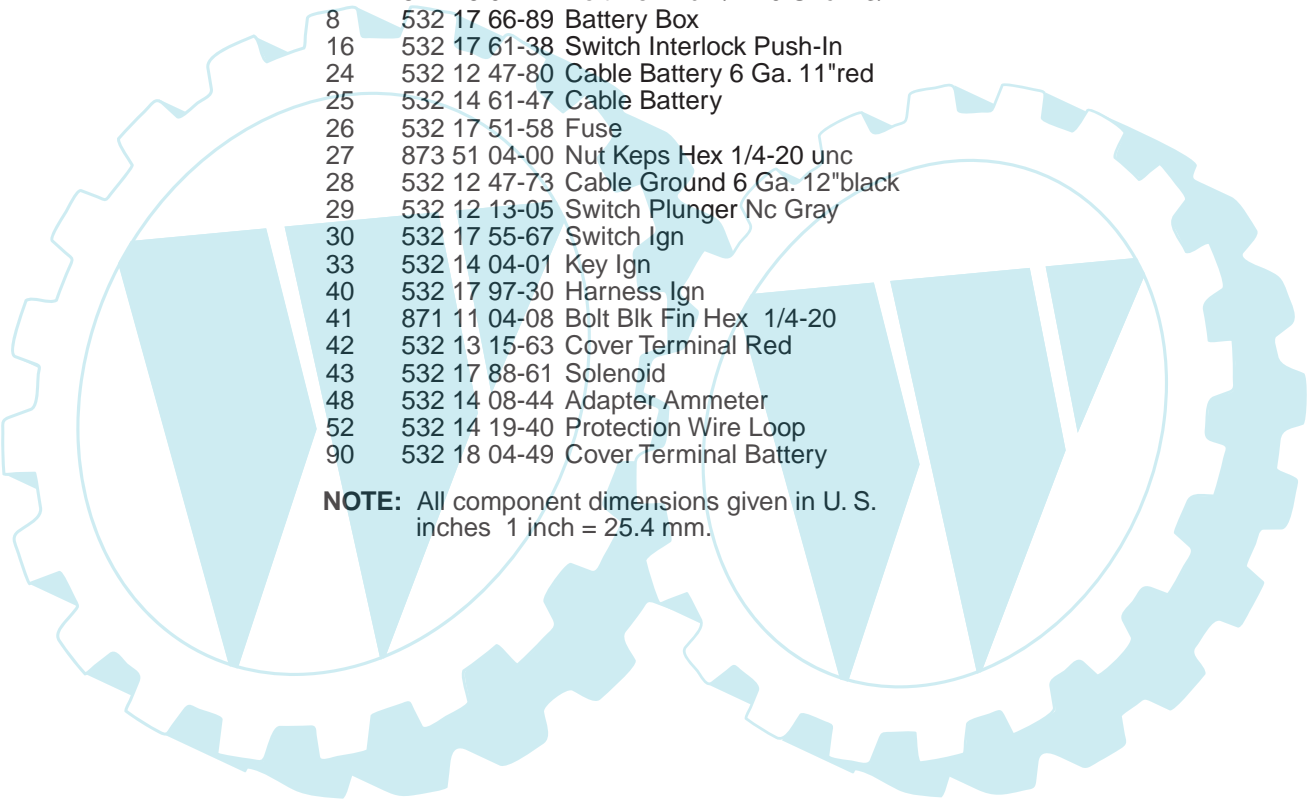
REPAIR PARTS

TRACTOR -- MODEL NUMBER P115T92 (P115T92A), PRODUCT NO. 964 77 50-02
ELECTRICAL



REPAIR PARTS

TRACTOR - - MODEL NUMBER P115T92 (P115T92A), PRODUCT NO. 964 77 50-02
ELECTRICAL

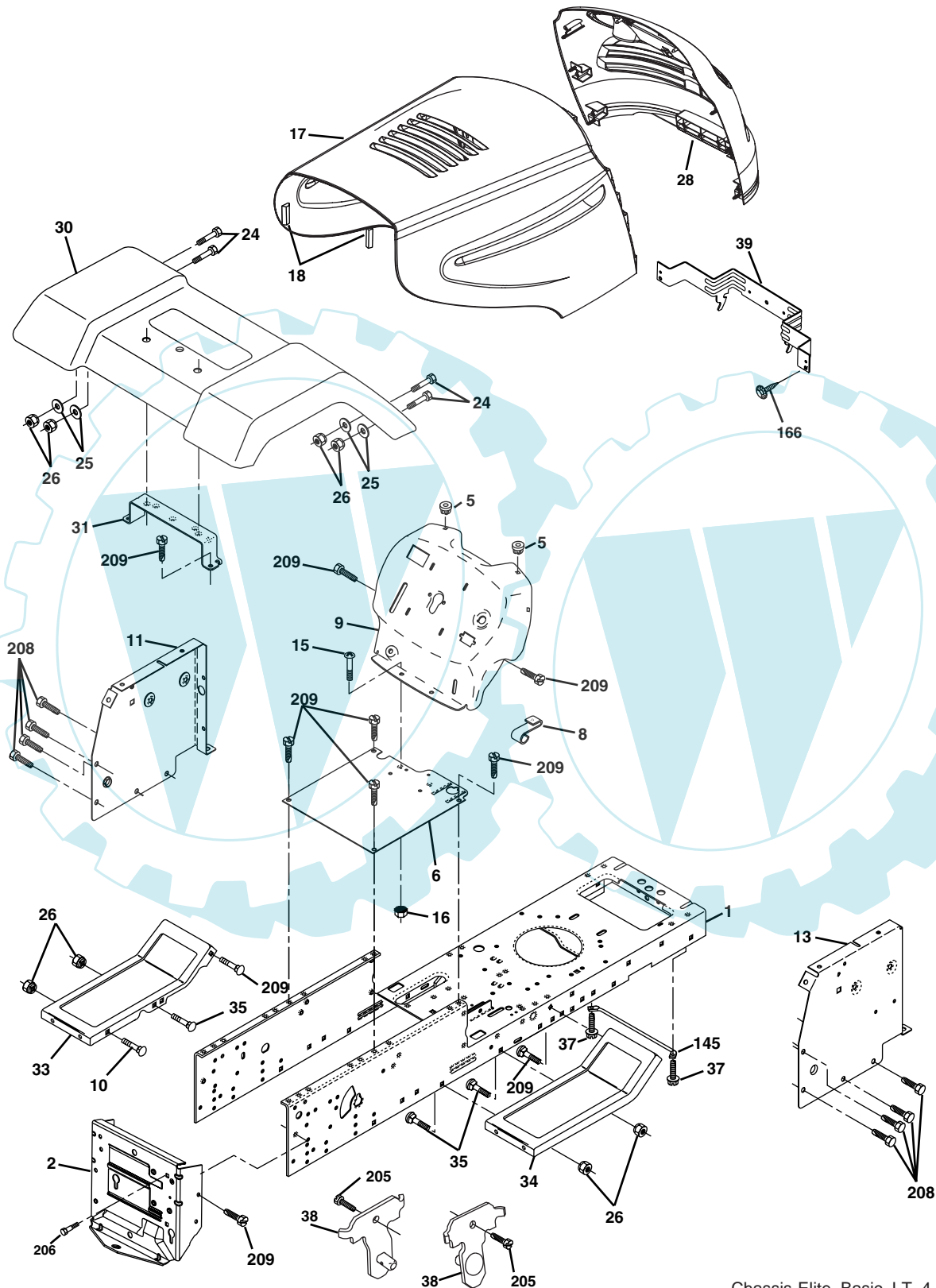


KEY NO.	PART NO.	DESCRIPTION
1	532 16 34-65	Battery 12 Volt 25 Amp
2	874 76 04-12	Bolt Hex Hd 1/4-20 Unc x 3/4
8	532 17 66-89	Battery Box
16	532 17 61-38	Switch Interlock Push-In
24	532 12 47-80	Cable Battery 6 Ga. 11"red
25	532 14 61-47	Cable Battery
26	532 17 51-58	Fuse
27	873 51 04-00	Nut Keps Hex 1/4-20 unc
28	532 12 47-73	Cable Ground 6 Ga. 12"black
29	532 12 13-05	Switch Plunger Nc Gray
30	532 17 55-67	Switch Ign
33	532 14 04-01	Key Ign
40	532 17 97-30	Harness Ign
41	871 11 04-08	Bolt Blk Fin Hex 1/4-20
42	532 13 15-63	Cover Terminal Red
43	532 17 88-61	Solenoid
48	532 14 08-44	Adapter Ammeter
52	532 14 19-40	Protection Wire Loop
90	532 18 04-49	Cover Terminal Battery

NOTE: All component dimensions given in U. S. inches 1 inch = 25.4 mm.

REPAIR PARTS

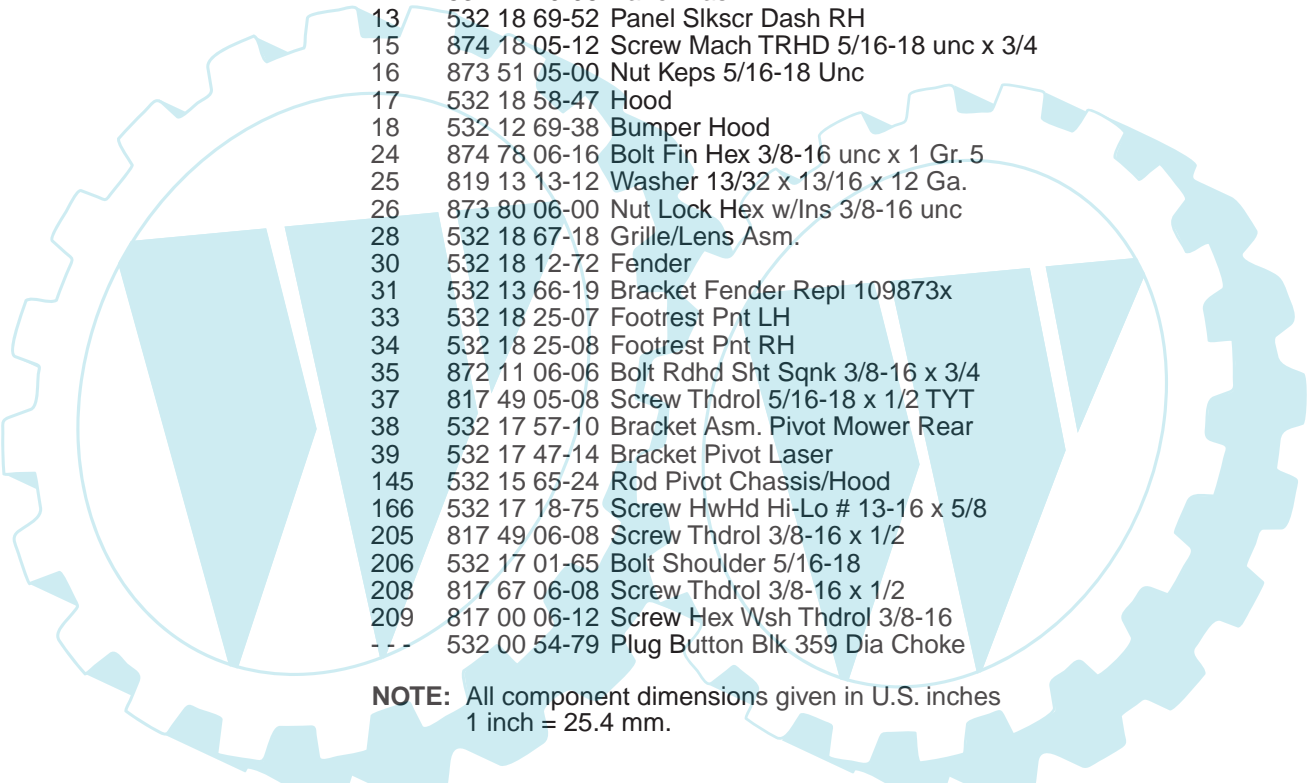
TRACTOR - - MODEL NUMBER P115T92 (P115T92A), PRODUCT NO. 964 77 50-02
CHASSIS AND ENCLOSURES



Chassis-Elite_Basic_LT_4

REPAIR PARTS

TRACTOR - - MODEL NUMBER P115T92 (P115T92A), PRODUCT NO. 964 77 50-02
CHASSIS AND ENCLOSURES



KEY NO.	PART NO.	DESCRIPTION
1	532 17 46-20	Chassis
2	532 17 65-54	Drawbar
5	532 15 52-72	Bumper, Hood/Dash
6	532 18 12-71	Saddle
8	532 15 51-38	Clip Retainer Slide-On
9	532 18 54-80	Dash
10	872 14 06-08	Bolt, Carriage 3/8-16 x 1
11	532 17 49-96	Panel Dash LH
13	532 18 69-52	Panel Slkscr Dash RH
15	874 18 05-12	Screw Mach TRHD 5/16-18 unc x 3/4
16	873 51 05-00	Nut Keps 5/16-18 Unc
17	532 18 58-47	Hood
18	532 12 69-38	Bumper Hood
24	874 78 06-16	Bolt Fin Hex 3/8-16 unc x 1 Gr. 5
25	819 13 13-12	Washer 13/32 x 13/16 x 12 Ga.
26	873 80 06-00	Nut Lock Hex w/Ins 3/8-16 unc
28	532 18 67-18	Grille/Lens Asm.
30	532 18 12-72	Fender
31	532 13 66-19	Bracket Fender Repl 109873x
33	532 18 25-07	Footrest Pnt LH
34	532 18 25-08	Footrest Pnt RH
35	872 11 06-06	Bolt Rdhd Sht Sqnk 3/8-16 x 3/4
37	817 49 05-08	Screw Thdrol 5/16-18 x 1/2 TYT
38	532 17 57-10	Bracket Asm. Pivot Mower Rear
39	532 17 47-14	Bracket Pivot Laser
145	532 15 65-24	Rod Pivot Chassis/Hood
166	532 17 18-75	Screw HwHd Hi-Lo # 13-16 x 5/8
205	817 49 06-08	Screw Thdrol 3/8-16 x 1/2
206	532 17 01-65	Bolt Shoulder 5/16-18
208	817 67 06-08	Screw Thdrol 3/8-16 x 1/2
209	817 00 06-12	Screw Hex Wsh Thdrol 3/8-16
- - -	532 00 54-79	Plug Button Blk 359 Dia Choke

NOTE: All component dimensions given in U.S. inches
1 inch = 25.4 mm.

REPAIR PARTS

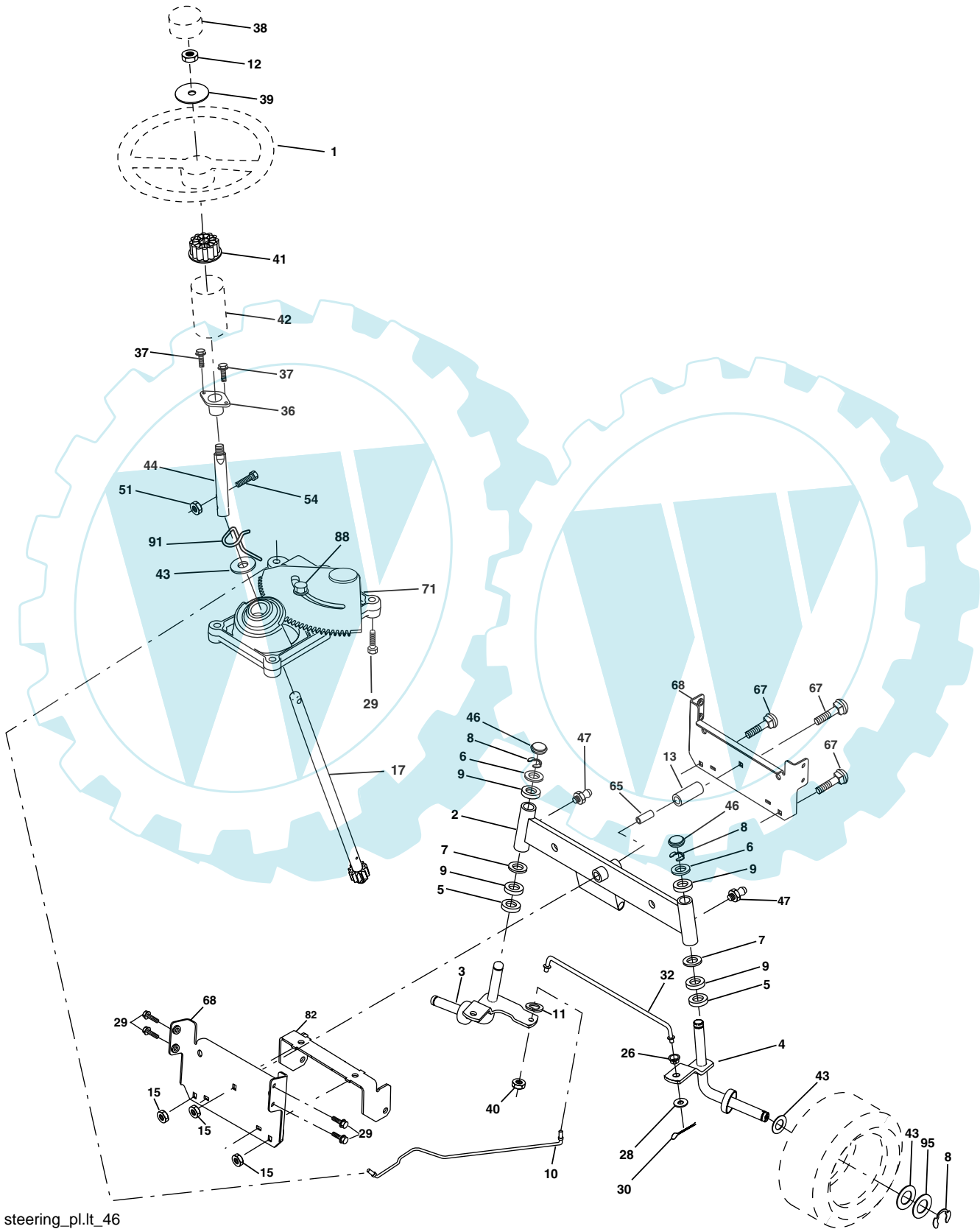
TRACTOR - - MODEL NUMBER P115T92 (P115T92A), PRODUCT NO. 964 77 50-02
DRIVE

KEY NO.	PART NO.	DESCRIPTION	KEY NO.	PART NO.	DESCRIPTION
1	-----	Transaxle, Peerless 204-506B (Order parts from transaxle manufacturer)	48	532 15 44-07	Bellcrank Asm
2	532 14 66-82	Spring Return Brake T/a Zinc	49	532 12 32-05	Retainer Belt Style Spring
3	532 12 36-66	Pulley Transaxle 18" tires	50	872 11 06-12	Bolt Carr Sh 3/8-16 x 1-1/2 Gr. 5
4	812 00 00-28	Ring Retainer # 5100-62	51	873 68 06-00	Nut Crownlock 3/8-16 Unc
5	532 12 15-20	Strap Torque 30 Degrees	52	873 68 05-00	Nut Crownlock 5/16-18 Unc
6	817 00 05-12	Screw 5/16-18 x 3/4	53	532 10 57-10	Link Clutch
7	532 16 22-40	Bracket T/A Saddle Shift	55	532 10 57-09	Spring Return Clutch 6 75
8	532 13 16-79	Rod Shifter	56	817 06 06-20	Screw 3/8-16 x 1-1/4
10	876 02 04-16	Pin Cotter 1/8 x 1 Cad	57	532 13 08-01	V-Belt Ground Drive
11	532 10 57-01	Washer Plate Shf 388 Sq Hole	59	532 16 96-91	Keeper Belt Span Ctr
12	819 15 12-16	Washer 15/32 x 3/4 x 16	61	817 12 06-14	Screw 3/8-16 x .875
13	874 55 04-12	Bolt 1/4-28 Unf Gr 8 W/Patch	62	532 12 48-72	Cover Pedal Blk Round
14	810 04 04-00	Washer Lock Hvy Helical 1/4	63	532 18 02-19	Engine Pulley
15	874 49 05-44	Bolt Hex Flghd 5/16-18 Gr. 5	64	532 17 39-37	Bolt Hex
16	873 80 05-00	Nut Lock Hx W/lins 5/16-18 Unc	65	810 04 07-00	Washer Lock Hvy Hlcl Spr 7/16
18	874 78 06-16	Bolt, Fin Hex 3/8-16 Unc x 1 Gr. 5	66	532 15 47-78	Keeper Belt Engine Foolproof
19	873 80 06-00	Nut Lock 3/8-16 Unc	70	532 18 02-18	Guide Belt Mower Drive RH
21	532 10 69-33	Knob	74	532 13 70-57	Spacer Axle
22	532 13 08-04	Rod Brake Blk Zinc 26 840	75	532 12 17-49	Washer 25/32 x 1 1/4 x 16 Ga
24	873 35 06-00	Nut Hex Jam 3/8-16 Unc	76	812 00 00-01	E-ring #5133-75
25	532 10 68-88	Spring Rod Brake 2 00 Zinc	77	532 12 35-83	Key Square 2 0 x 1845/ 1865
26	819 13 13-16	Washer 13/32 x 13/16 x 16 Ga	78	532 12 17-48	Washer 25/32 x 1-5/8 x 16 Ga
27	876 02 04-12	Pin Cotter 1/8 x 3/4 Cad	79	532 12 50-96	Key Woodruff
28	532 17 57-65	Rod Brake Parking	96	532 12 47-88	Retainer Spring 1"
29	532 07 16-73	Cap Brake Parking	112	819 09 12-10	Washer 9/32 x 3/4 x 10 Ga.
30	532 17 49-73	Bracket Mtg Transaxle	113	532 12 72-85	Strap Torque Lh
32	874 76 05-12	Bolt Hex Hd 5/16-18unc x 3/4	116	872 14 06-08	Bolt Rdhd Sq Neck 3/8-16 x 1.00
34	532 17 55-78	Shaft Asm Pedal Foot	120	873 90 06-00	Nut Lock Flg 3/8-16
35	532 12 01-83	Bearing Nylon Blk 629 Id	150	532 17 54-56	Spacer Retainer
36	819 21 16-16	Washer 21/32 x 1 x 16 Ga	151	819 13 32-10	Washer 13/32 x 2 x 10
37	532 12 49-63	Pin Roll 3/16 x 1"	170	532 18 74-14	Keeper Belt T/A
38	532 17 91-14	Pulley Idler Composite	202	872 11 06-14	Bolt, 3/8 - 16 x 1-3/4 Gr. 5
39	872 11 06-22	Bolt Rdhd 3/8-16 Unc x 2-3/4 Gr. 5	212	532 14 52-12	Nut Flange Hex Lock
41	532 17 55-56	Keeper Belt Retainer Idler	263	817 00 06-12	Screw 3/8-16 x 3/4
47	532 12 77-83	Pulley Idler V Groove Plastic			

NOTE: All component dimensions given in U.S. inches
1 inch = 25.4 mm

REPAIR PARTS

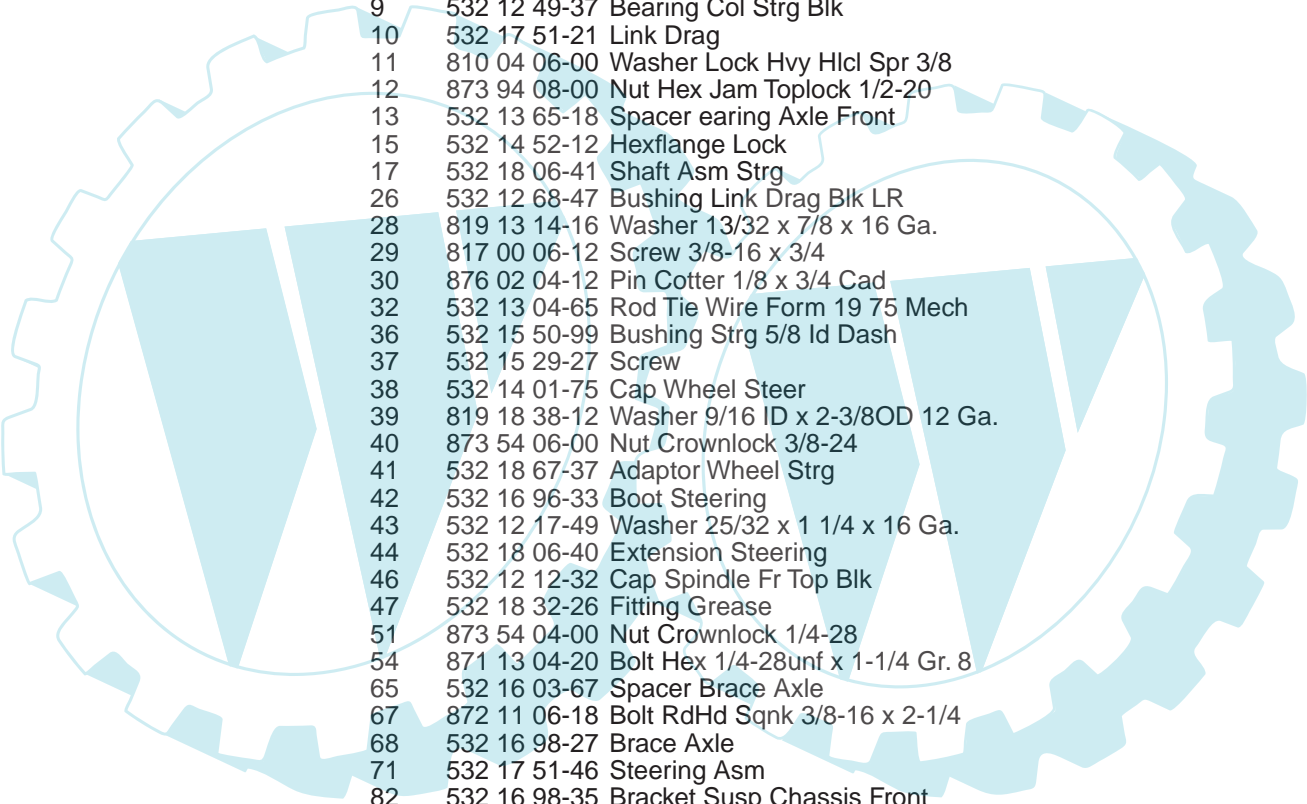
TRACTOR -- MODEL NUMBER P115T92 (P115T92A), PRODUCT NO. 964 77 50-02
STEERING



steering_pl.lt_46

REPAIR PARTS

TRACTOR - - MODEL NUMBER P115T92 (P115T92A), PRODUCT NO. 964 77 50-02
STEERING

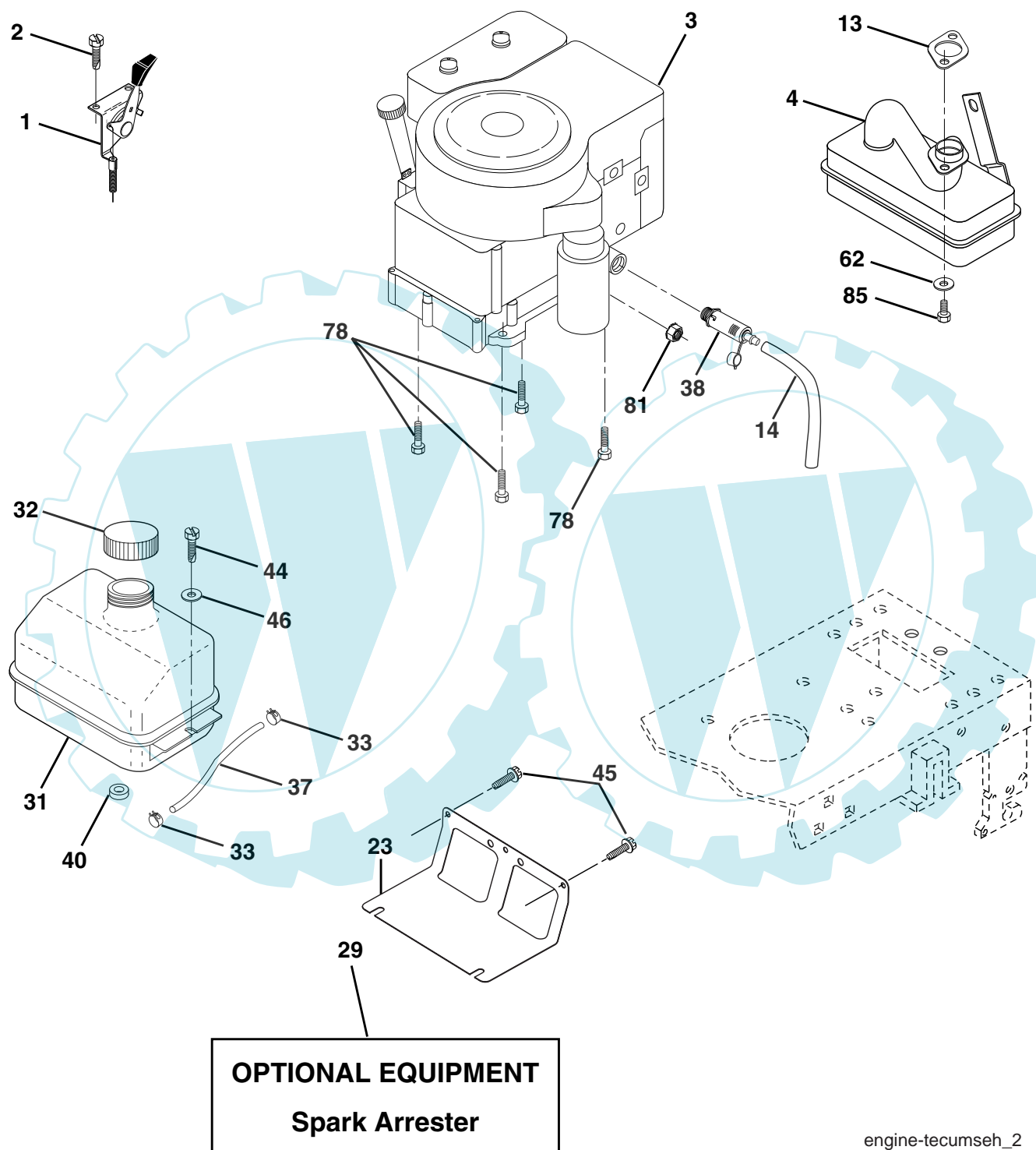


KEY NO.	PART NO.	DESCRIPTION
1	532 13 97-68	Wheel Steering
2	532 17 51-31	Axle Asm
3	532 16 98-40	Spindle Asm LH
4	532 16 98-39	Spindle Asm RH
5	532 12 49-31	Bearing Race Thrust Harden
6	532 12 17-48	Washer 25/32 x 1-5/8 x 16 Ga.
7	819 27 20-16	Washer 27/32 x 1-1/4 x 16 Ga.
8	812 00 00-29	Ring Klip #t5304-75
9	532 12 49-37	Bearing Col Strg Blk
10	532 17 51-21	Link Drag
11	810 04 06-00	Washer Lock Hvy Hlcl Spr 3/8
12	873 94 08-00	Nut Hex Jam Toplock 1/2-20
13	532 13 65-18	Spacer earing Axle Front
15	532 14 52-12	Hexflange Lock
17	532 18 06-41	Shaft Asm Strg
26	532 12 68-47	Bushing Link Drag Blk LR
28	819 13 14-16	Washer 13/32 x 7/8 x 16 Ga.
29	817 00 06-12	Screw 3/8-16 x 3/4
30	876 02 04-12	Pin Cotter 1/8 x 3/4 Cad
32	532 13 04-65	Rod Tie Wire Form 19 75 Mech
36	532 15 50-99	Bushing Strg 5/8 Id Dash
37	532 15 29-27	Screw
38	532 14 01-75	Cap Wheel Steer
39	819 18 38-12	Washer 9/16 ID x 2-3/8OD 12 Ga.
40	873 54 06-00	Nut Crownlock 3/8-24
41	532 18 67-37	Adaptor Wheel Strg
42	532 16 96-33	Boot Steering
43	532 12 17-49	Washer 25/32 x 1 1/4 x 16 Ga.
44	532 18 06-40	Extension Steering
46	532 12 12-32	Cap Spindle Fr Top Blk
47	532 18 32-26	Fitting Grease
51	873 54 04-00	Nut Crownlock 1/4-28
54	871 13 04-20	Bolt Hex 1/4-28unf x 1-1/4 Gr. 8
65	532 16 03-67	Spacer Brace Axle
67	872 11 06-18	Bolt RdHd Sqnk 3/8-16 x 2-1/4
68	532 16 98-27	Brace Axle
71	532 17 51-46	Steering Asm
82	532 16 98-35	Bracket Susp Chassis Front
88	532 17 51-18	Bolt shoulder 7/16-20
91	532 17 55-53	Clip Steering
95	532 18 89-67	Washer Hardened

NOTE: All component dimensions given in U.S. inches
1 inch = 25.4 mm.

REPAIR PARTS

TRACTOR -- MODEL NUMBER P115T92 (P115T92A), PRODUCT NO. 964 77 50-02
ENGINE



engine-tecumseh_2

REPAIR PARTS

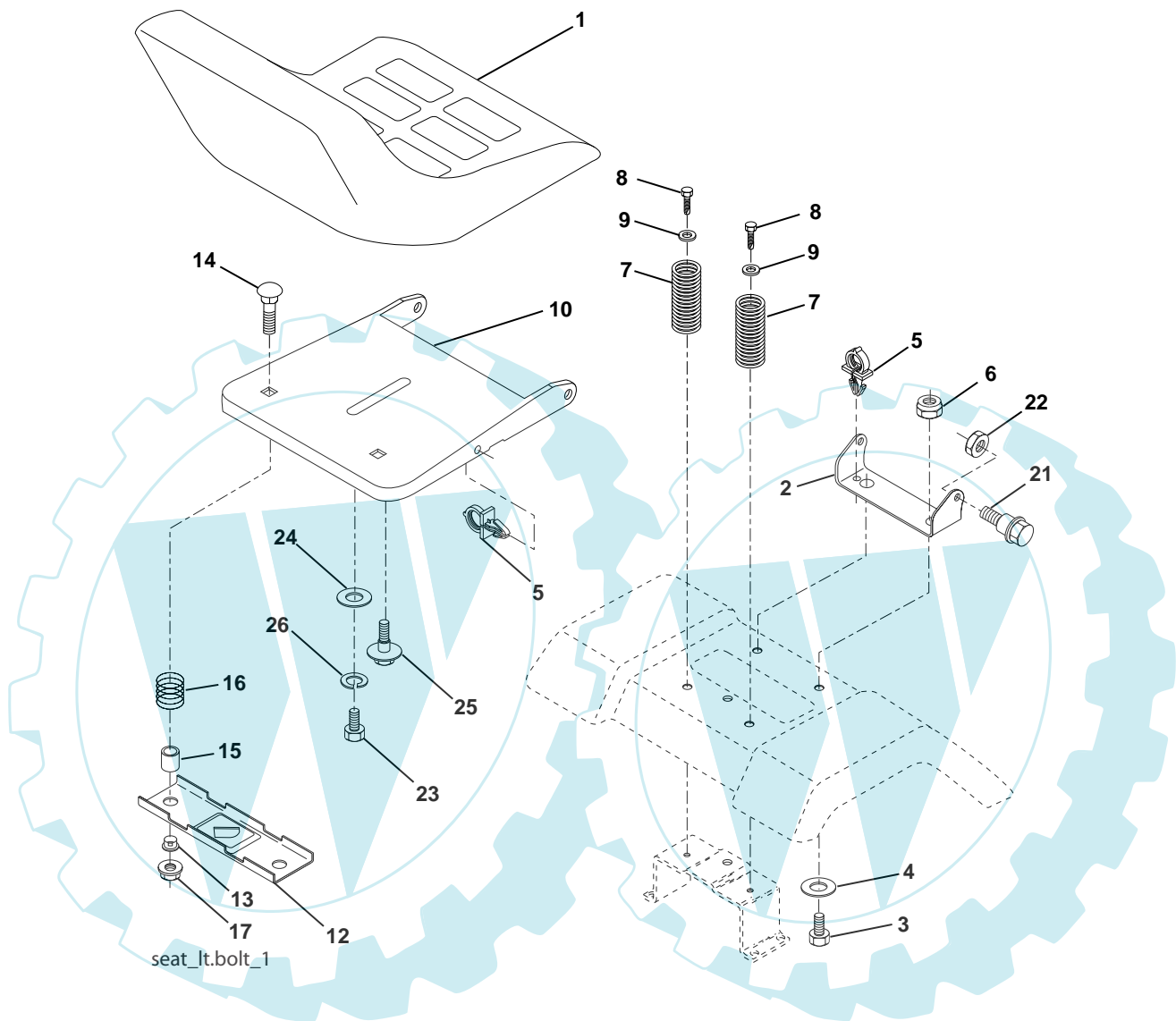
TRACTOR - - MODEL NUMBER P115T92 (P115T92A), PRODUCT NO. 964 77 50-02
ENGINE

KEY NO.	PART NO.	DESCRIPTION
1	532 17 08-64	Control Throttle /Choke
2	817 72 04-08	Screw Hex Thd Cut 1/4-20 x 5/8 T
3	-----	Engine Tec Model OV358EA (Order Parts from Engine Manufacturer)
4	532 15 67-00	Muffler Exhaust
13	-----	Gasket (Order from Engine Mfg.)
14	532 14 84-56	Tube Drain Oil Easy
23	532 16 98-37	Shield Browning/Debris Guard
29	532 13 71-80	Arrestor Spark
31	532 18 49-00	Tank Fuel
32	532 14 05-27	Cap Asm Fule Top Vent N/Lany
33	532 12 34-87	Clamp Hose Blk
37	532 13 70-40	Line Fuel 20"
38	532 18 16-54	Plug Drain Oil Easy
40	532 12 40-28	Bushing Snap
44	817 67 04-12	Screw Hexwsh Thdrol 3/8-16 x 3/4
45	817 00 06-12	Screw 3/8-16 x 3/4
46	819 09 14-16	Washer 9/32 x 7/8 x 16 Ga.
62	810 04 05-00	Washer Lock Hvy HLCL Spr 5/16
78	817 06 06-20	Screw 3/8-16 x 1-1/4
81	873 51 04-00	Nut Keps Hex 1/4-20 unc
85	532 12 35-28	Bolt Hex Hd Phillips

NOTE: All component dimensions given in U.S. inches
1 inch = 25.4 mm

REPAIR PARTS

TRACTOR -- MODEL NUMBER P115T92 (P115T92A), PRODUCT NO. 964 77 50-02
SEAT



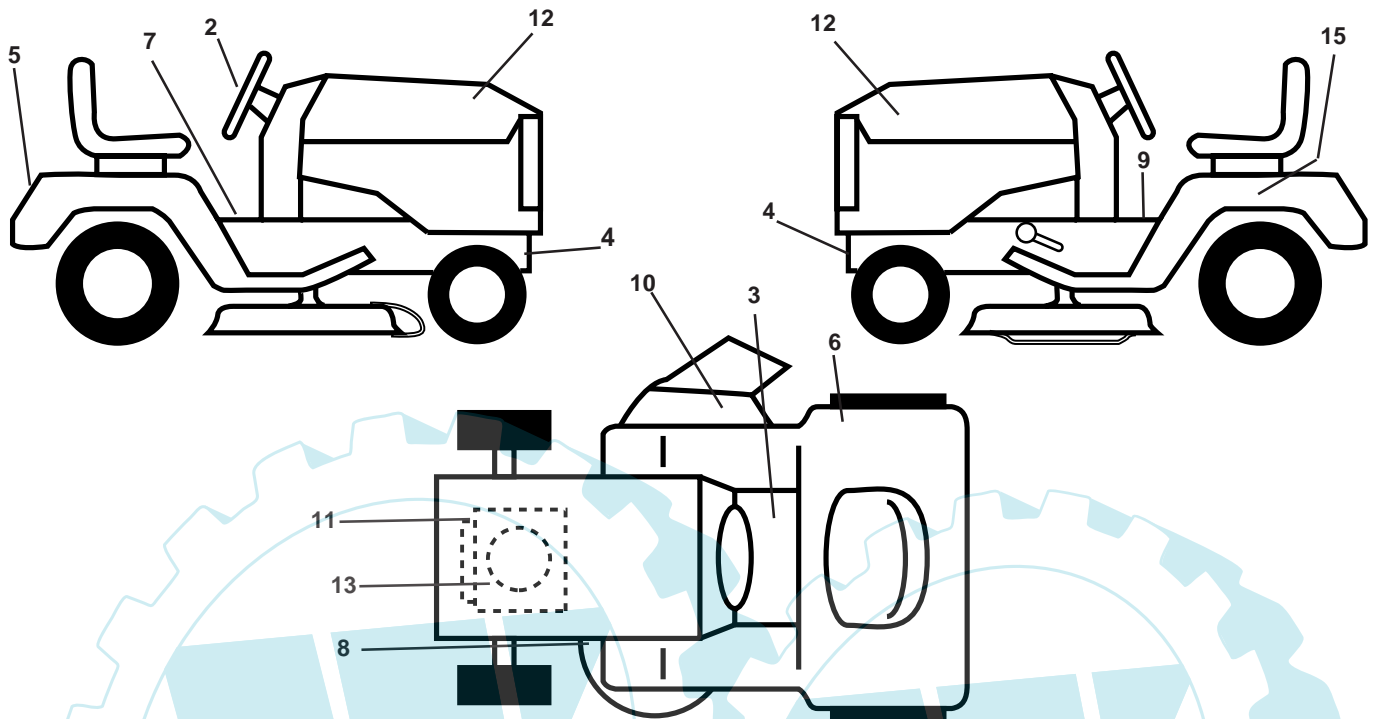
KEY NO.	PART NO.	DESCRIPTION
1	532 17 53-89	Seat
2	532 14 05-51	Bracket Seat Pivot
3	871 11 06-16	Bolt Hex 3/8 - 16 x 1
4	819 13 16-10	Washer 13/32 x 1 x 10 Ga.
5	532 14 50-06	Clip Push-In Hinged
6	873 80 06-00	Nut Lock Hex w/Ins 3/8 - 16
7	532 12 41-81	Spring Seat Cprsn 2 250 Blk Zi
8	817 00 06-16	Screw 3/8-16 x 1.5
9	819 13 16-14	Washer 13/32 x 1 x 14 Ga.
10	532 18 24-93	Pan Pnt Seat (Blk)
12	532 12 12-46	Bracket Pnt Mounting Switch
13	532 12 12-48	Bushing Snap Blk Nyl

KEY NO.	PART NO.	DESCRIPTION
14	872 05 04-12	Bolt Rdhd Sht Nk 1/4 - 20 x 1 -1/2
15	532 13 43-00	Spacer Split .28 x .96
16	532 12 12-50	Spring Cprsn
17	532 12 39-76	Nut Lock 1/4 Lge Flg
21	532 17 18-52	Bolt Shoulder 5/16-18 unc-2A
22	873 80 05-00	Nut Lock Hex w/Ins 5/16 - 18
23	871 11 08-14	Bolt Hex Black
24	819 17 19-12	Washer 17/32 x 1-3/16 x 12 Ga.
25	532 12 70-18	Bolt Shoulder 5/16-18 x .62
26	810 04 08-00	Washer Lock Hvy Hlcl Spr 1/2

NOTE: All component dimensions given in U.S. inches
1 inch = 25.4 mm.

REPAIR PARTS

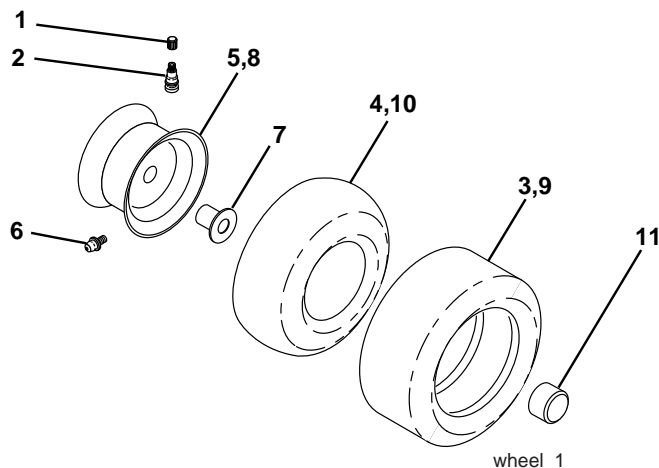
TRACTOR - - MODEL NUMBER P115T92 (P115T92A), PRODUCT NO. 964 77 50-02
DECALS



KEY NO.	PART NO.	DESCRIPTION
2	532 18 56-47	Decal, Steering Wheel
3	532 15 97-37	Decal, Brake/Clutch
4	532 15 97-36	Decal, Hot Muffler
5	532 19 02-71	Decal, Fender
6	532 18 04-32	Decal, DB/CE
7	532 14 54-98	Decal, Read Owner's Manual
8	532 13 68-32	Decal, V-Belt Sch.
9	532 14 08-37	Decal, Parking Brake
10	532 18 21-66	Decal, Cut Finger

KEY NO.	PART NO.	DESCRIPTION
11	532 18 98-86	Decal, Engine
12	532 18 56-46	Decal, Hood RH/LH
13	532 18 69-06	Decal, Warranty
15	532 14 50-05	Decal, Caution, Battery
--	532 16 25-98	Decal, Drawbar
--	532 13 83-11	Decal, Handle Lft Height Adj.
--	532 18 51-49	Manual, Operator's, Euro
--	532 18 52-38	Manual, Operator's, Scan
--	532 19 02-17	Manual Parts

WHEELS & TIRES

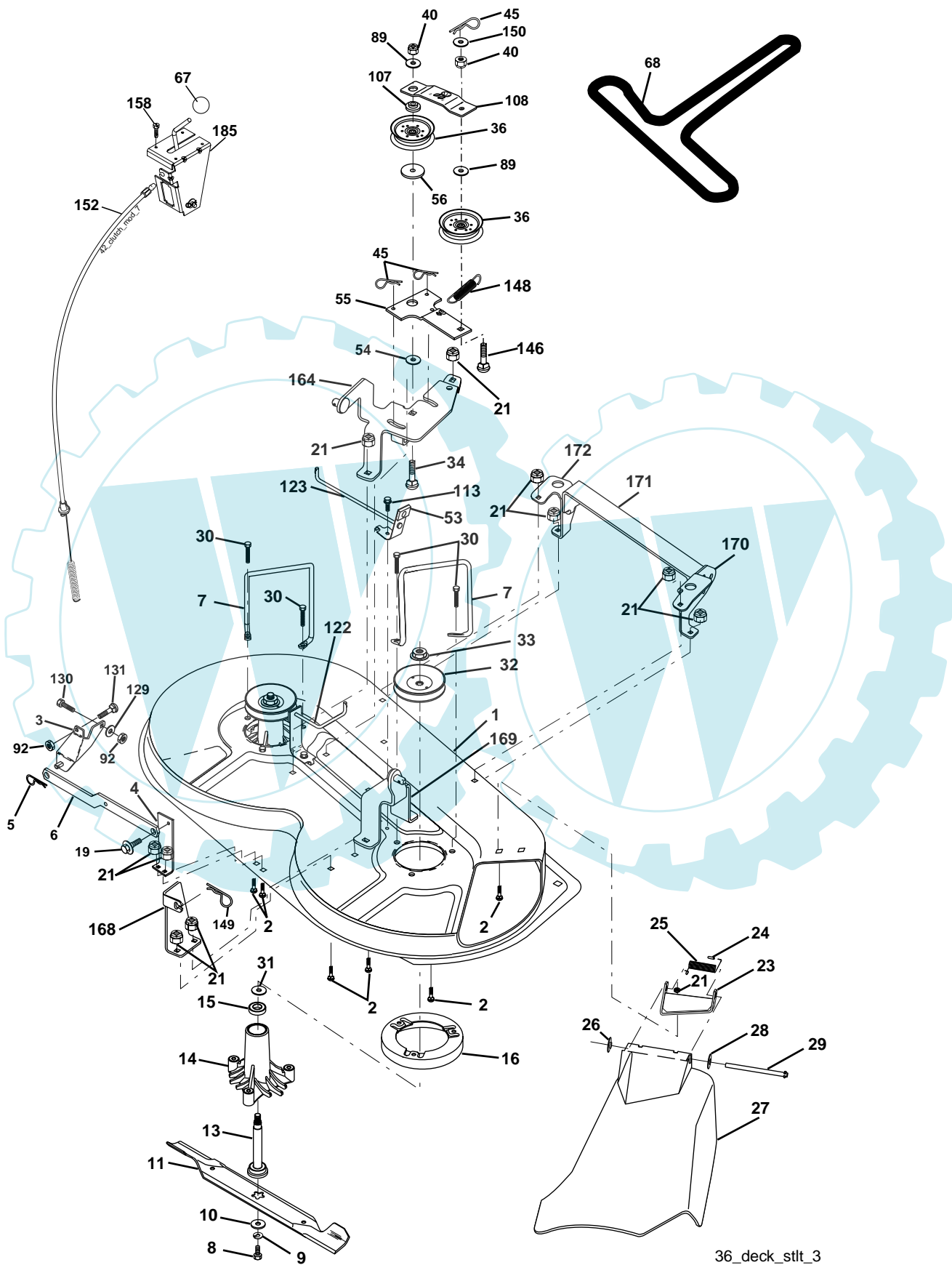


KEY NO.	PART NO.	DESCRIPTION
1	532 05 91-92	Cap, Tire valve
2	532 06 51-39	Stem, Valve
3	532 12 41-57	Tire, Front
4	532 05 99-04	Tube, Front (Service item only)
5	532 18 33-37	Rim assembly, 6" front
6	532 12 49-57	Fitting, Grease (Front wheel only)
7	532 12 49-59	Bearing, Flange (Front wheel only)
8	532 18 33-38	Rim assembly, 8" rear
9	532 12 39-69	Tire, Rear
10	532 12 49-26	Tube, Rear (Service item only)
11	532 17 50-39	Cap, Hub Axle
--	532 14 43-34	Sealant, Tire (10 oz. Tube)

NOTE: All component dimensions given in U.S. inches
1 inch = 25.4 mm

REPAIR PARTS

TRACTOR - - MODEL NUMBER P115T92 (P115T92A), PRODUCT NO. 964 77 50-02
MOWER DECK



36_deck_stilt_3

REPAIR PARTS

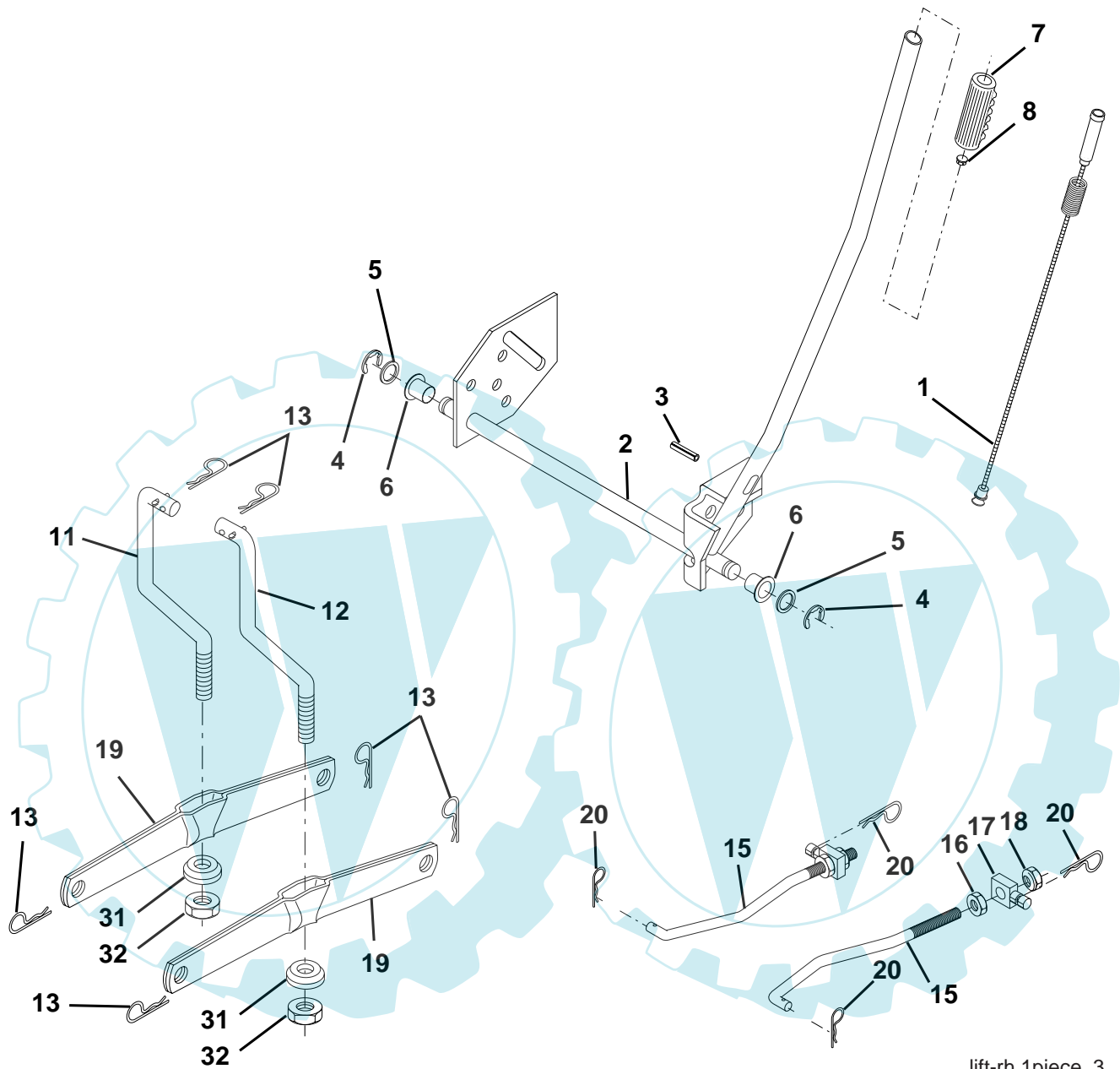
TRACTOR - - MODEL NUMBER P115T92 (P115T92A), PRODUCT NO. 964 77 50-02
MOWER DECK

KEY NO.	PART NO.	DESCRIPTION	KEY NO.	PART NO.	DESCRIPTION
1	532 17 45-95	Mower Deck Assembly	55	532 13 38-40	Idler Arm Assembly
2	872 14 05-06	Bolt	56	532 16 57-23	Spacer, Retainer
3	532 13 80-17	Bracket Assembly,Sway Bar	67	532 10 69-32	Knob RD 3/8-16 Plstc Thd
4	532 17 56-54	Bracket Sway Bar	68	532 18 02-13	Belt
5	532 12 46-70	Retainer Spring	89	819 13 13-11	Washer 13/32 x 13/16 x 11 Ga.
6	532 17 80-24	Bar Sway Deck	92	873 80 06-00	Nut Lock Hex w/Ins 3/8-16
7	532 14 06-08	Keeper Belt	107	532 13 35-02	Spacer, Retainer
8	532 85 08-57	Bolt, Hex 3/8-24 x 1.25 Gr. 8	108	532 13 35-03	Stiffener, Idler Arm
9	810 03 06-00	Washer, Lock Hvy Hlcl 3/8	113	817 49 05-08	Screw Thdrol 5/16-18 x 1/2
10	532 14 02-96	Washer, Hardened	122	532 17 45-05	Rod, Brake, LH
11	532 13 84-96	Blade, Mower	123	532 17 45-04	Rod, Brake, RH
13	532 13 76-45	Shaft Assembly, Mandrel,	129	819 13 13-12	Washer 13/32 x 13/16 x 12
14	532 12 87-74	Housing, Mandrel, Vented	130	874 78 06-16	Bolt Fin Hex 3/8-16 x 1
15	532 11 04-85	Bearing, Ball, Mandrel	131	872 14 06-08	Bolt Rdhd Sqnk 3/8-16 x 1
16	532 17 44-93	Stripper, Mower Deck	146	532 16 58-91	Bolt Carriage Idler
19	532 13 28-27	Bolt, Shoulder	148	532 16 90-22	Spring Return Idler
21	873 68 05-00	Nut Crownlock 5/16-18	149	532 16 58-98	Retainer Spring Yellow Zinc
23	532 13 66-31	Bracket, Mower Deflector	150	819 09 12-10	Washer 9/32 x 3/4 x 10 Ga.
24	532 10 53-04	Cap, Sleeve	152	532 17 60-79	Cable Clutch
25	532 12 37-13	Spring, Torsion, Deflector	158	817 72 04-08	Screw Hex Thd Cut 1/4-20 x 1/2
26	532 11 04-52	Nut, Push	164	532 17 49-76	Bracket Asm Idler Support
27	532 17 61-62	Shield, Deflector	168	532 17 23-77	Bracket Deck Cable
28	819 11 10-16	Washer 11/32 x 5/8 x 16 Ga.	169	532 17 49-77	Bracket Asm Suspension
29	532 12 19-80	Rod, Hinge	170	532 17 23-59	Bracket Suspension RF
30	532 17 39-84	Screw Thdrol	171	532 16 52-37	Bracket Support Susp. Frt
31	532 18 76-90	Washer, Spacer	172	532 17 23-55	Bracket Suspension LF
32	532 15 35-31	Pulley, Mandrel	185	532 18 82-34	Head Asm Cable Clutch
33	532 17 83-42	Nut, Toplock, Flanged	--	532 13 07-94	Mandrel Assembly (Includes Housing, Shaft and Shaft Hardware Only - Pulley Not Included)
34	872 11 06-14	Bolt Rdhd 3/8-16 x 1-3/4	--	532 18 13-76	Replacement Mower, Complete
36	532 13 14-94	Pulley, Idler, Flat			
40	873 68 06-00	Nut Crownlock 3/8-16			
45	532 12 47-88	Retainer, Spring			
53	532 13 08-40	Brake Assembly			
54	532 17 85-15	Washer, Hardened			

NOTE: All component dimensions given in U.S. inches
1 inch = 25.4 mm

REPAIR PARTS

TRACTOR - - MODEL NUMBER P115T92 (P115T92A), PRODUCT NO. 964 77 50-02
MOWER LIFT



lift-rh.1piece_3

KEY NO.	PART NO.	DESCRIPTION
1	532 15 94-61	Wire Asm Inner/Sprg w/plunger
2	532 15 94-76	Shaft Asm Lift RH
3	532 17 89-81	Pin Groove
4	812 00 00-02	E Ring #5133-62
5	819 21 16-21	Washer 21/32 x 1 x 21 Ga
6	532 12 01-83	Bearing Nylon Blk 629 Id
7	532 10 94-13	Grip Handle Bicycle Matte Blk
8	532 12 45-26	Button Plunger Black
11	532 13 98-65	Link Lift LH Fixed Length
12	532 13 98-66	Link Lift RH Fixed Length
13	532 12 46-70	Retainer Spring

KEY NO.	PART NO.	DESCRIPTION
15	532 17 32-88	Link Front
16	873 35 08-00	Nut Jam Hex 1/2-13 Unc
17	532 17 56-89	Trunnion
18	873 80 08-00	Nut Lockw/Wsh 1/2-13 Unc
19	532 13 98-68	Arm Suspension Rear
20	532 16 35-52	Retainer, Spring
31	532 16 98-65	Bearing Pvt Lift
32	873 54 06-00	Nut Crownlock 3/8-24

NOTE: All component dimensions given in U.S. inches
1 inch = 25.4 mm.